



2-18 GHz

Multi-Octave Type N 2- and 4-Way Power Dividers

- Precision, Multi-Octave Units Covering 2 to 18 GHz
- Excellent Phase and Amplitude Tracking
- Low Input VSWR
- High Isolation Between Output Ports

Specifications

Type N (F), 2-Way, 2 to 18 GHz, 30 W

FREQUENCY RANGE (GHz)	MODEL	BAND SEGMENTS (GHz)	VSWR (max.)		INSERTION LOSS (dB max.)	ISOLATION (dB min.)	AMPLITUDE BALANCE (dB max.)	PHASE BALANCE (max.)	AVERAGE POWER* (W max.)			WEIGHT	
			INPUT	OUTPUT					A	B	C	oz.	gr.
2-8	3324-2	2-4	1.35	1.25	0.7	20	0.2	3°	30	10	1	5.0	140
		4-8	1.35	1.25	0.7	20	0.3	4°	30	10	1		
6-18	3326B-2**	6-12.4	1.60	1.50	0.6	20	0.2	3°	30	10	1	4.8	135
		12.4-18	1.60	1.50	1.1	17	0.3	6°	30	10	1		
2-18	3456B-2	2-8	1.50	1.40	0.7	20	0.3	6°	30	10	1	7.1	200
		8-18	1.50	1.40	1.5	19	0.5	9°	30	10	1		

Type N (F), 4-Way, 2 to 18 GHz, 30 W

FREQUENCY RANGE (GHz)	MODEL	BAND SEGMENTS (GHz)	VSWR (max.)		INSERTION LOSS (dB max.)	ISOLATION (dB min.)	AMPLITUDE BALANCE (dB max.)	PHASE BALANCE (max.)	AVERAGE POWER* (W max.)			WEIGHT	
			INPUT	OUTPUT					A	B	C	oz.	gr.
2-8	3324-4	2-8	1.45	1.35	0.9	18	0.4	7°	30	10	1	9.7	275
5-18	3326B-4**	5-12.4	1.50	1.45	1.4	18	0.5	7°	30	20	1	8.9	250
		12.4-18	1.65	1.45	1.4	18	0.5	7°	30	20	1		

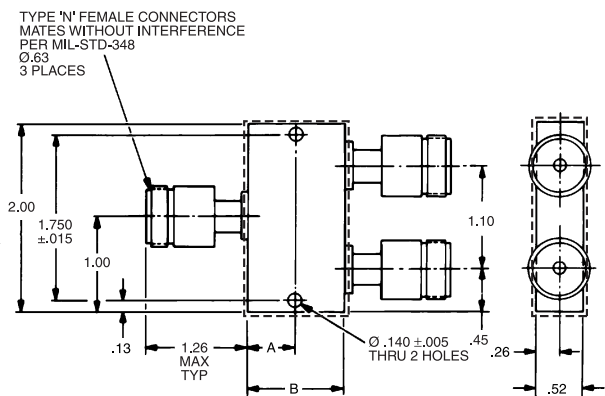
* Average Power Rating into a load VSWR of (A) 1.2 to 1, (B) 2 to 1 and (C) ∞VSWR

** Custom-order basis: minimum quantity may apply

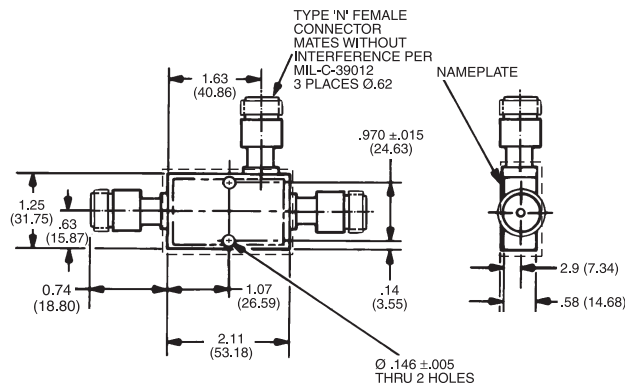


Power Dividers

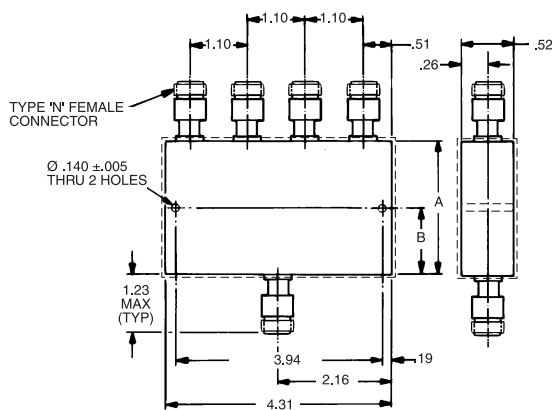
Outline Drawings



MODEL	A	B
3324-2	.84	1.69
3326B-2	.50	1.00



MODEL 3456B-2



MODEL	A	B
3324-4	3.44	1.72
3326B-4	1.42	0.71

Allow .020 for sealant build-up per surface.
Dimensions in inches (mm in parentheses), unless otherwise specified.

