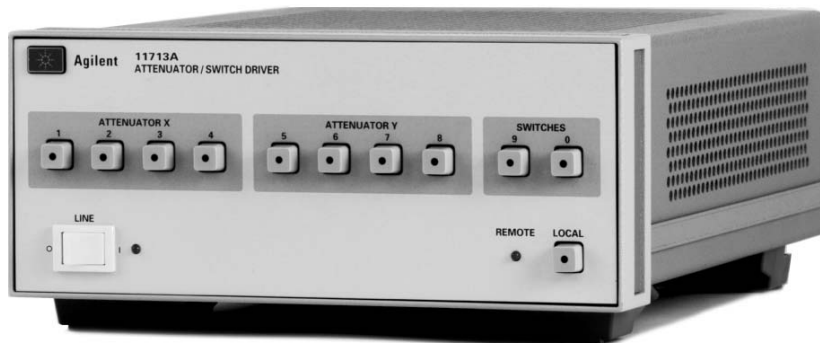
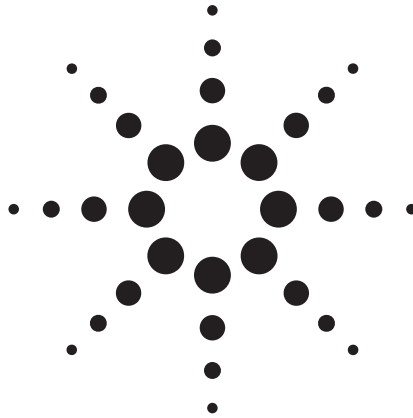


# Agilent 11713A Attenuator/Switch Driver

## Configuration Guide



This configuration guide will help you through the process of configuring a switching system utilizing Agilent's 11713A attenuator/switch driver.

The 11713A is capable of driving up to ten switch or attenuator sections. It drives with steady-state 24 Vdc and is compatible with any switch or attenuator that requires +24 Vdc common, with ground for individual line activations. Switch and attenuator control can be accomplished manually from the front panel push-buttons or automatically over the GPIB interface bus. For applications requiring more than ten pairs of drivelines, multiple 11713A may be used. Each 11713A comes equipped with two plug-in drive cables for driving attenuators. A variety of other cables are also available.

Contact your Agilent representative at the offices listed on the back page of this guide if you need more information.



**Agilent Technologies**

## Specifications

**Table 1. 11713A attenuator/switch driver specifications and supplemental characteristics**

Specifications	
<b>Driver power supply</b>	
<b>Voltage</b>	+24 ±2.0 Vdc
<b>Current</b>	1.3 A maximum peak for 1 second
	0.65 A maximum continuous current
	Contact pairs 1 through 8, 9 and 0, maximum current of 0.65 A continuous through one or all contacts
Supplemental Characteristics	
Power	100 or 120 Vac, +5%, –10% at 48 to 440 Hz
	200 or 240 Vac, +5%, –10% at 48 to 66 Hz
	80 VA maximum
Response time	10 μs maximum for contact pairs 1 through 8
	20 ms maximum for contact pairs 9 and 0
Driver life	> 2,000,000 switchings at maximum current for contact pairs 9 and 0
Maximum load inductance	500 mH
Maximum load capacitance	< 0.01 μF for contact pairs 9 and 0
Net weight	4.1 kg (9 lbs)
Dimensions	Height: 102 mm (4 inches including feet)
	Rack height: 89 mm (3.5 inches, half-width module)
	Width: 213 mm (8.4 inches)
	Depth: 295 mm (11.6 inches)

## Selection Options

### Agilent 11713A attenuator/switch driver include:

Return-to-Agilent warranty and service plans extendable to three years and covers power cords.

### Agilent 11713A attenuator/switch driver options:

(One of the following options is required)

**Option 001** – Viking connector to 10-pin DIP plug; quantity (2).  
Agilent 11764-60004

**Option 101** – Viking to Viking drive cables; quantity (2).  
Agilent 8120-2703

### Available cable accessories:

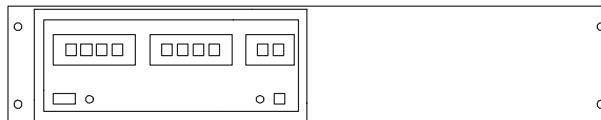
**Agilent 11761A** – Viking connector to four ribbon cables; connects up to four switches.

**8120-2178** – 9-pin conductor cable, to Viking connector (for four switches), 60 inches long

**5061-0969** – 12-pin conductor cable, bare wire to Viking connector (for five switches), 60 inches long

### Available rack mount kit accessories:

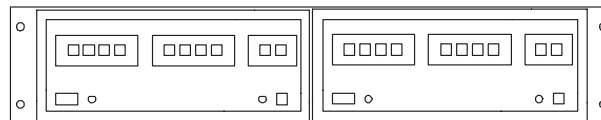
**5063-9240** – Kit rack adapter to mount a single instrument



To mount two instruments side-by-side, order

**5061-9694** – Lock link kit and

**5063-9212** – Rack mount flange kit



# Cable Drawings Available for Agilent 11713A Attenuator/ Switch Driver

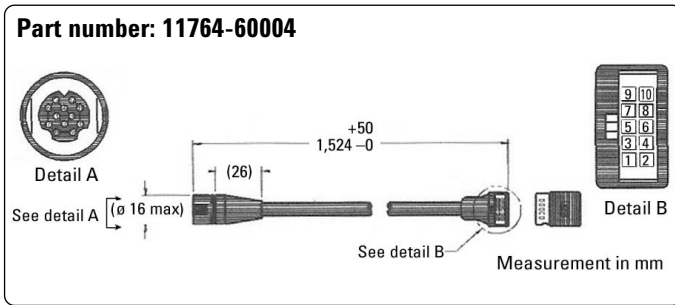


Figure 1. 11764-60004 Viking connector to 10-pin DIP plug

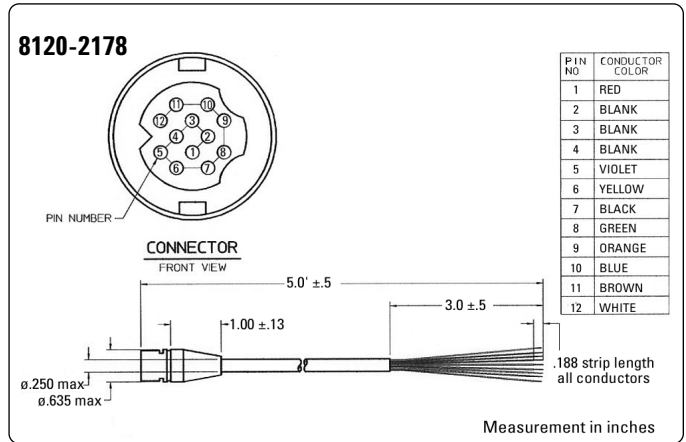


Figure 4. 8120-2178 9-pin conductor cable, to Viking connector (for four switches), 60 inches long

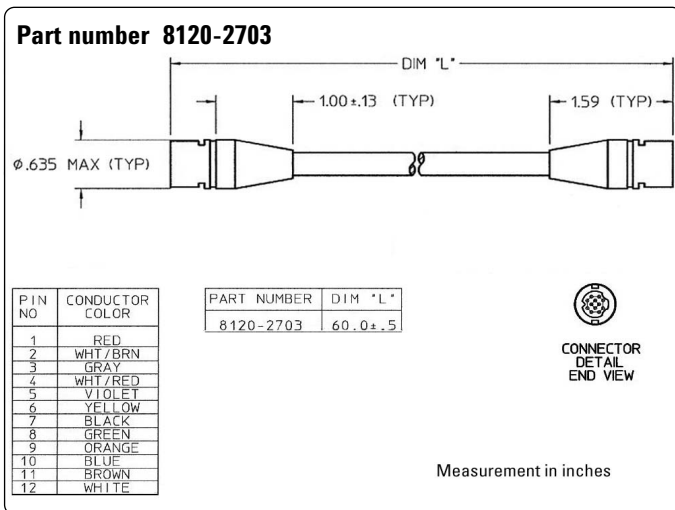


Figure 2. 8120-2703 Viking to Viking drive cables

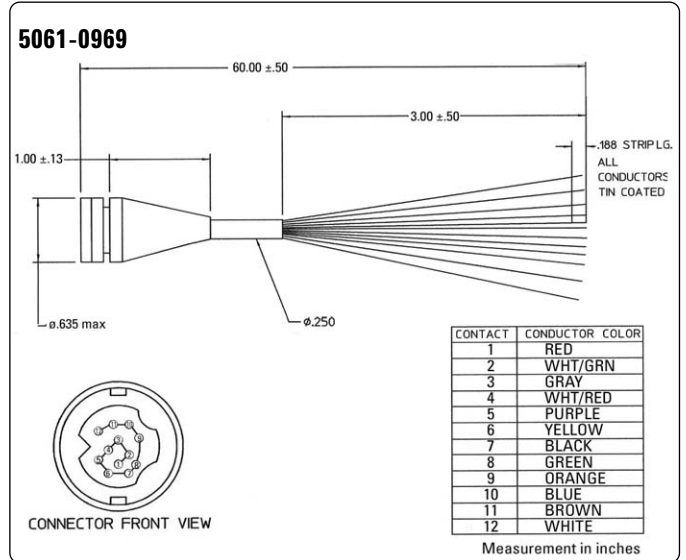


Figure 5. 5061-0969 12-pin conductor cable, bare wire to Viking connector (for five switches), 60 inches long

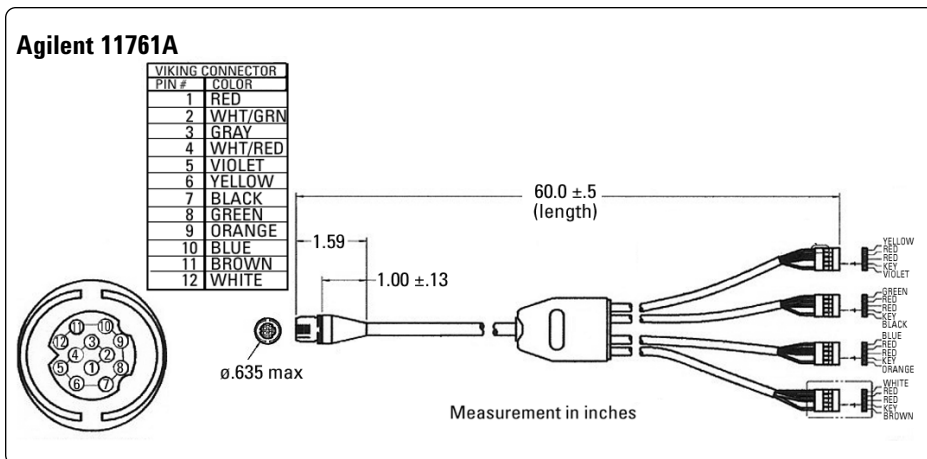


Figure 3. 11761A Viking connector to four ribbon cables to connect up to four switches