

Agilent 382A Waveguide Attenuators

Technical Overview



FEATURES:

- As low as 2% direct reading accuracy
- 60 dB attenuation range calibrated to 50 dB
- Highly repeatable
- Easy to use
- NIST calibration available

APPLICATIONS:

- Test and instrumentation
- Calibration systems

DESCRIPTION

Millitech series DRA direct reading attenuators are highly accurate, frequency-independent attenuators suitable for instrumentation and calibration. By virtue of their mechanical design features and an expanded helical drum scale, the attenuators offer a high degree of repeatability and accuracy measured over the full 50 dB attenuation range for full waveguide frequency bands.

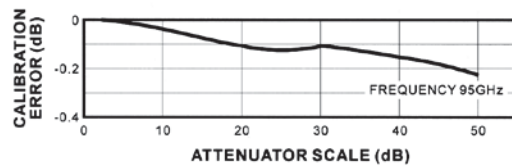
These attenuators are available between 26.5 and 170 GHz. Low VSWR, small variation in phase shift versus frequency, and ease of reading are among the most attractive features of these attenuators.



ELECTRICAL SPECIFICATIONS

Model Number	Q382A	U382A
Frequency band and range (GHz)	Q 33-50	U 40-60
Accuracy (\pm dB/%) (whichever is greater)	0.1/2.0	0.1/2.0
VSWR (max)	1.15:1	1.15:1
Insertion loss (dB) (max)	0.6	0.7
Power rating (W) (max) ^{†1}	1	0.5

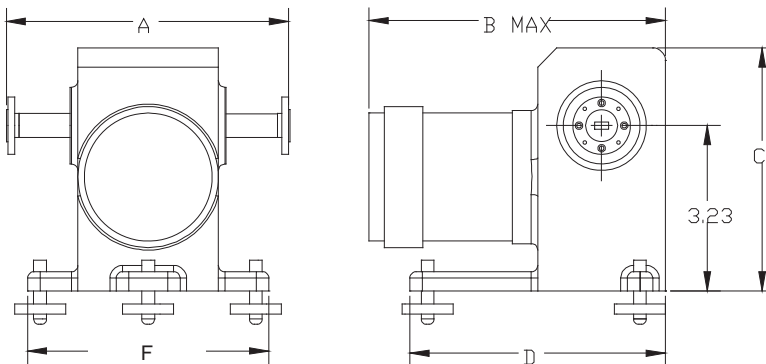
TYPICAL PERFORMANCE



MECHANICAL SPECIFICATIONS

Model Number	Q382A	U382A
A (in/mm)	5.91/150.1	4.92/150.1
B (in/mm)	5.30/134.6	5.30/134.6
C (in/mm)	4.25/108.0	4.25/108.0
D (in/mm)	3.94/100.1	3.94/100.1
F (in/mm)	3.54/89.9	3.54/89.9
Waveguide/Flange	WR-22 UG-383/U	WR-22 UG-383/UM

OUTLINE DRAWINGS



NOTE: 3.23 dimension is ± 0.1 inches.