



0.92-12.4 GHz

## Type N Maximally Flat Coaxial Couplers

- High Power Capability
- Low Loss, Superior Directivity
- $\pm 0.25$  dB Frequency Sensitivity
- Permanent Nameplate Calibrations

### Specifications

Type N (M/F), 0.92 to 12.4 GHz

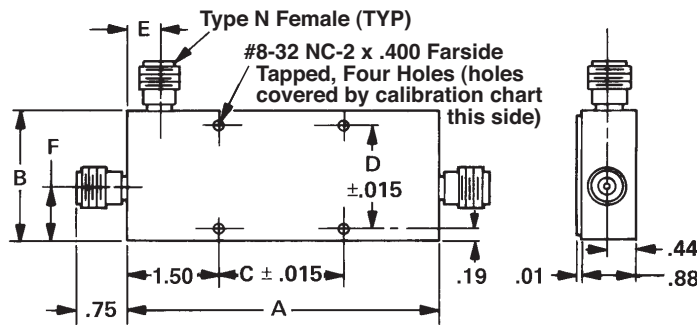
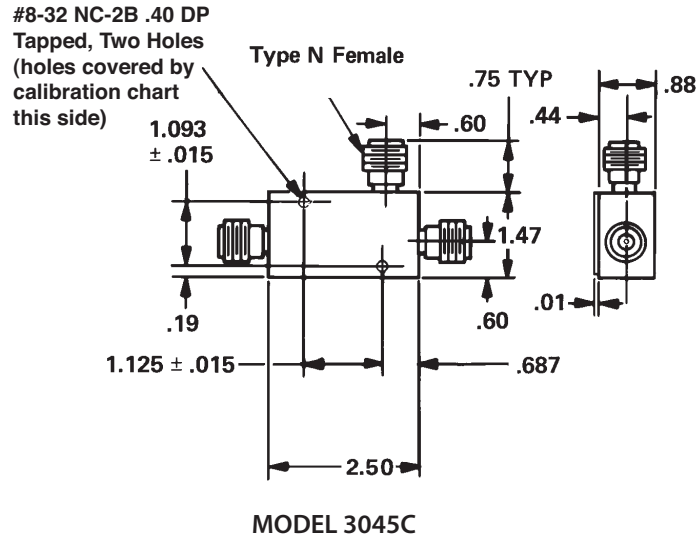
FREQUENCY RANGE (GHz)	MODEL	NOMINAL COUPLING (dB)	DIRECTIVITY (dB min.)	INSERTION LOSS (dB)		VSWR		FREQUENCY SENSITIVITY* (dB max.)	MAXIMUM DEVIATION FROM NOMINAL (dB)	CALIBRATION FREQUENCY (GHz per 5 dB step)	ABSOLUTE CALIBRATION ACCURACY (per 10 dB step)	AVERAGE POWER (W)		REFLECTED POWER (W)		PEAK (kW)	WEIGHT (max.)		
				EXCLUDING COUPLED POWER	TRUE	PRIMARY LINE (max.)	SECONDARY LINE (max.)					10 dB	20, 30 dB	10 dB	20, 30 dB		lb.	kg.	
0.92-2.2	3042B-10	10			0.70					0.92, 1.24,									
	3042B-20	20	20	0.20	0.25	1.10	1.20	$\pm 0.25$	$\pm 0.5$	1.56, 1.88,	$\pm 0.1$	200	500	50	500	10	1.25	0.60	
	3042B-30	30			0.20					2.2									
1.7-4.2	3043B-10	10			0.70					1.7, 2.325,									
	3043B-20	20	20	0.20	0.25	1.15	1.20	$\pm 0.25$	$\pm 0.5$	2.95, 3.575,	$\pm 0.1$	200	500	50	500	10	1.0	0.45	
	3043B-30	30			0.20					4.2									
7-12.4	3045C-10	10			0.95					7.0, 8.0,									
	3045C-20	20	15	0.35	0.35	1.25	1.30	$\pm 0.25$	$\pm 0.5$	9.0, 10.0,	$\pm 0.1$	100	100	10	100	2	0.8	0.40	
	3045C-30	30			0.35					11.0, 12.4									

\* Frequency sensitivity included in coupling value



# Couplers

## Outline Drawings



MODEL	A	B	C	D	E	F
3042B-10	6.12	2.12	3.000	1.688	.50	.86
3042B-20	6.12	2.12	3.000	1.688	.50	.86
3042B-30	6.12	2.12	3.000	1.688	.50	.68
3043B-10	4.09	2.12	1.090	1.688	.50	.86
3043B-20	4.09	2.12	1.090	1.688	.50	.86
3043B-30	4.09	2.12	1.090	1.688	.50	.68

Dimensions in inches, unless otherwise specified.