

**Model 1550A**  
**Model 1594**  
**4-WAY Resistive Power Dividers**  
**Subminiature, SMA / 3.5mm Connectors**

**dc to 3.0 GHz / 1 Watt**  
**dc to 18.0 GHz / 2 Watts**

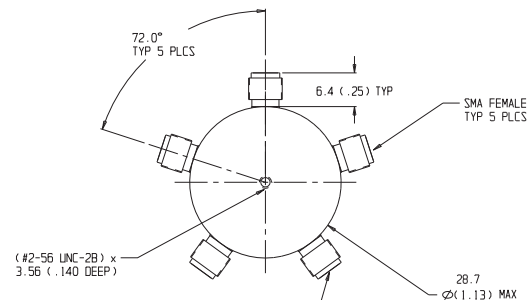
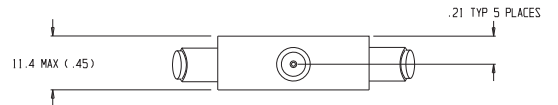


MAXIMUM SWR:	
Model No.	SWR
1550A	1.25
1594	1.30

**WEIGHT:** 1550A: 28 g (1.0 oz) maximum  
1594: 30 g (1.05 oz) maximum

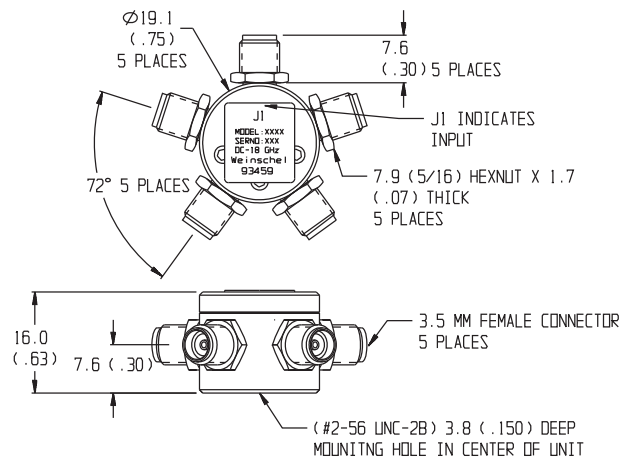
**PHYSICAL DIMENSIONS:**

**Model 1550A:**



**CAUTION:**  
TORQUE ON CONNECTORS NOT TO EXCEED 7 TO 10 INCH POUNDS (PER MIL-C-39012). THESE CONNECTORS ARE PRESS FIT. EXCEEDING THIS MAY CAUSE CONNECTOR TO COME LOOSE.

**Model 1594:**



**NOTE:** All dimensions are given in mm (inches) and are maximum, unless otherwise specified.

**Features**

- /// **Broadband Performance.**
- /// **Excellent Tracking Between Ports.**
- /// **Miniature Size and Light Weight.**
- /// **Wireless Applications** - Model 1550A is specifically designed for use in the wireless communications bands.

**Specifications**

**NOMINAL IMPEDANCE:** 50 Ω  
**FREQUENCY RANGE:** 1550A: dc to 3.0 GHz (usable to 5 GHz)  
1594: dc to 18.0 GHz

**INSERTION LOSS\*:**  
Model 1550A: 12 dB nominal, 13.5 dB maximum  
Model 1594: 12 dB nominal, 14.5 dB maximum  
\* input port to any output port with all other terminated.

**MAXIMUM INPUT POWER:** 1550A: 1 watt CW  
1594: 2 watts CW

AMPLITUDE & PHASE TRACKING (Maximum):			
Model No.	Frequency (GHz)	Tracking*	
		Amplitude	Phase
1550A	dc - 3	±0.5 dB	±10°
1594	dc - 12	<2.0 dB	<30°
	12 - 18	<2.5 dB	<50°

\*Between output ports.

**NUMBER OF PORTS:** 1 input and 4 outputs  
**TEMPERATURE RANGE:** -55°C to +100°C  
**CONNECTORS:** Model 1550A: SMA female connectors all ports--mate nondestructively with other SMA, 2.92mm and 3.5mm connectors.  
Model 1594: 3.5mm female connectors all ports--mate non-destructively with other SMA, 2.92mm and 3.5mm connectors.